

DEEP FRYER



HDF8



HDF8+8

INSTRUCTIONS MANUAL

Thank you for purchasing and using HDF series Deep Fryer. In order to making full use of functions of this product and minimize unnecessary loss and damage ,please read the manual carefully and keep it for future reference.

WARNING!



ANY REFITTING AND WRONG INSTALLATION,ADJUSTMENT AND MAINTENANCE CAN LEAD TO PROPERTY LOSS AND CASUALTY.

PLEASE CONTACT THE SUPPLIER IF NEED TO ADJUST OR MAINTAIN IT AND ALL THESE SHOULD BE DONE BY AUTHORIZED PROFESSIONALS.

WARNING!



DO NOT PUT FLAMMABLE LIQUID, GAS OR OTHER OBJECTS AROUND THE PRODUCT FOR YOUR SAFETY SAKE.

WARNING!



THE SHEEL OF THIS MACHINE MUST BE GRINDED FOR SAFETY SAKE .IF THE OIL LEVEL IS BELOW THE MINIMUM INDICATED LEVEL,IT WILL CAUSE A FIRE.

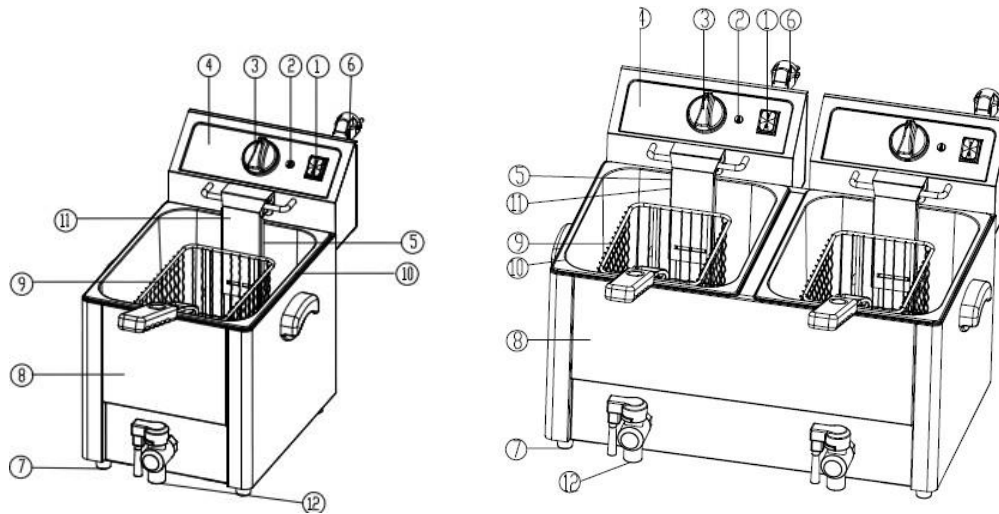
THANK YOU FOR YOUR COOPERATION!

The design of this product is new and function is stale .It has features of beautiful appearance ,reasonable structure ,easy operation, constant temperature control ,fast heating and saving oil and energy .It can cook ,fry and warm food .It is an ideal assistant and first choice for cooking .

A. Structure

HDF series 1-tank deep fryer

HDF series 2-tank deep fryer



1. SWITCH 2. INDICATOR LIGHT 3 TEMPERATURE CONTROLLER
 4. ELECTRIC BOX 5. ELECTRIC HEATING TUBE 6. POWER CABLE
 7.RUBBER FOOT 8. FRAME 9.FRYING BASKET 10. OIL POT
 11.PROTECTING BOARD FOR ELECTRIC HEATING TUBE 12. OIL TAP

B. FUNCTION

1.HDF series electric fryer has two kinds .one is 1-tank fryer; the other is 2-tank fryer. 2-tank fryer can cook two different kinds of food and do not mix the smell.

2. There is thermostat in deep fryer and it can set temperature for frying . Heating indicator can show the heating situation.

3. When temperature of oil is over the limited temperature, the protecting device for limiting temperature can cut off power automatically .It can avoid being over temperature （reset the devoice by hand） .

4. When lifting the electric box, the micro-switch works at once .It cuts off power to make sure personal safety and in case of electric heating tube being dry burned.

5. The handle of frying basket can be dismantled. it has a stainless steel moving oil tank with calibration mark of oil level .It is easy to be operated, cleaned ,transported and stored.

6. Electric heating tube has protecting board and it can be easy to draw out of bottom box with the electric box and separate from oil pot .Then it is easy to clean electric heating tube and oil pot.

C. Basic parameter

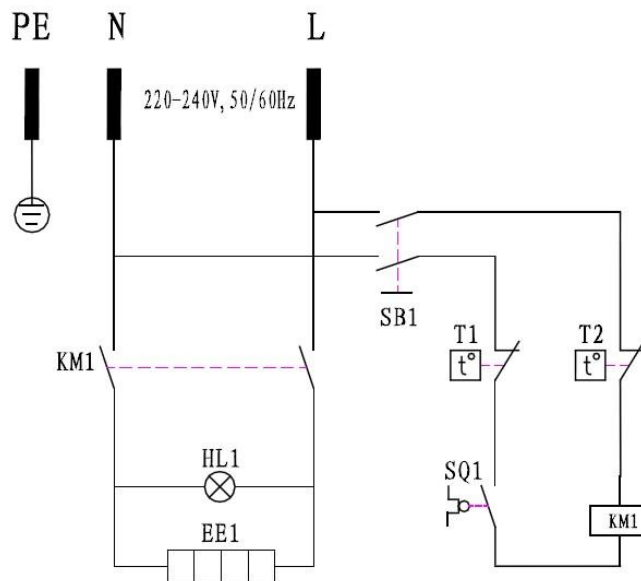
Name	Electric Fryer	
Model	HDF 8	HDF8+8
Voltage	220~240V, 50/60Hz	220~240V, 50/60Hz
Power	3250W	2*3250W
Number of oil pot	1	2
Size of oil pot	300*240*200	300*240*200
The setting range of temperature of oil	60°C~190°C	60°C~190°C
Moving temperature of temperature limiter	230°C	230°C
Dimension(mm)	615*328*448	615*545*448
Length of handle (mm)	240	240
weight	8	13.5
Volume	8L	8L+8L
Number of frying basket	1	2

THE QUANTITY OF FOOD FOR COOKING IN ONE TIME, ACCORDING TO MEET, IT SHOULD NOT BE OVER 1.2KG PER POT.

NOTE

- THE QUANTITY OF FOOD WHICH IS NOT MAET MUST BE LIMITED IN ORDER TO AVOID OIL OVERFLOWING.
- TO FRY FOOD WHICH IS TOO WET AND TOO MUCH FOR ONE TIME WILL CAUSE OIL BE OVERBOILING.
- ACCORDING TO NOMARL.VOLUME TO ADD FOOD INTO EACH FRYER.
- OVER-WET AND TOO LARGE FOOD WILL EFFECT THE SURGE OF BOILING OF OIL.

D. Circuit diagram



NOTE: THE CIRCUIT PRINCIPLE OF HDF SERIES 1-TANK/2-TANK DEEP FRYER IS DIFFERENT. THE DIFFERENCE IS THAT 2-TANK DEEP FRYER HAS TWO TANK AND TWO ELECTRIC BOX AND TWO SEPARATE TEMPERATURE CONTROLLER.

E. Instruction

1. Check if the installation of power supply is normal, and make sure the supplied voltage is coordinated with the using voltage.
2. There is oil level mark in the internal oil pot, when using the quantity of oil in oil pot should be kept in certain level. "MAX" shows the most volume of oil, "MIN" shows the less volume of oil. When using, user can adjust the volume oil according to user's need.
3. 1) Plug the machine and get through power supply, orange indicator light is on, At that time current has been supplied to the machine.
2) Rotate the temperature controller clockwise, put the needed

temperature degree to the red point .the orange indicator light is on. It shows that electric heating tube is working and temperature of oil in pot is rising.

4. 1) When temperature of oil rises to the setting temperature, temperature controller can cut off power automatically.

2) When temperature of oil lowers, temperature controller can get through power automatically.

Orange indicator is ON, electric heating tube works again and temperature of oil rises.

3) It repeats again and again to make sure temperature of oil is constant in the setting temperature.

5. The cover of pot is designed for keeping the pot be cleaning and warming .When putting in through the cover, please make sure there is not water in it in case of water drops into pot and oil and splashes.

6. 1) The enclosed frying basket for frying small food. There is a hook and handle on the basket.

2) Soak the basket into oil when operating .When the frying is finished, lift the basket and hand it in the front notch of pot to filter oil ,User can put big food into pot to fry .

7. After working, please rotate the temperature controller counter-clockwise to primary position and cut off power for safety sake.

8. 1) Please pour the old oil out of pot when temperature of oil lowers to

normal.

2) First, cut off power, then take the partition board for oil out of pot ,and then electric box out of the back notch in bottom box ,Electric heating tube and electric box are separate from oil pot ,and put them on a clear place, then take out oil pot to clean.

9. In order to make sure the machine is safe and durable, User should clean slag of oil pot and filth of electric heating tube in order to keep the oil pot and electric heating tube is clean.

10. The partition board of oil pot is designed for protecting electric heating tube, Put the board into the oil pot when frying food.

11. 1)there is temperature in electric box; the moving temperature is 230°C.

2) There is “reset button for over heating” out of the shell. When temperature is over, the protecting button works. Press the reset button to restart.

12. There is a micro-limit switch in the electric box .When put electric box into bottom box ,electricity get to the electric box ;take it out then power is off.

13 .Please use fresh vegetable oil in case of over boiling .Do not use old oil because it will have a reduced flash-point and be more prone to surge boiling.

F. Note for installation

1. The using voltage for this equipment must be coordinated with the supplied voltage.
2. User should install a suitable power switch and breaker switch near the fryer.
3. At the back of the equipment is the earth bolt. Please connect the earth wire in compliance with the safety regulations reliably with copper cable of no less than 2mm².
4. Before using, check whether every connection is formed, voltage is normal and ground connection is safe .
5. Do not use water to clean the electric box directly
6. The installation of this machine must be done by professionals.

Notice
<ul style="list-style-type: none">● This equipment must be operated by trained cook or professionals.
<ul style="list-style-type: none">● Do not refit it! The refitment of this product will cause serious accident.
<ul style="list-style-type: none">● Do not clean the product with a water jet or soak electric box into water while cleaning. Water can conduct electricity so the product may cause electric-shock

accident by electric leakage.

- High temperature will cause scald .When fire-facing oven is in use and before or after being used, do not touch directly body of trunk and chamber of top truck because of high temperature.

- Do not use another power supply with different voltage.
Do not use main switch that is not coordinated with safety regulation.

- When thunder and lightning is closing, user should shut off main switch to avoid appliance being damaged by lightning strike.

- Do not use hard and sharp object to destroy the surface of oven body and surface of oil pot.

- After using, please shut off main switch

- The installation and maintenance of electric circuit by professionals.

- If power cord is damage, for preventing from danger, user should ask manufacturer or maintenance department or specific professionals to change it.

Warning! 

- When using, hand, plug and switch must be dry.
- Oil should not be lower than the less oil level. Do not dry burn.
- Do not use water to clean electric box directly or soak the electric box into water to clean.
- Do not use old oil to fry because it will cause over boiling.
- To fry over wet food and over add for one time will cause accident.

G. Troubleshooting

Troubles	Causes	Solution
1.Plug the machine and get through power supply ,power indicator is not on and heat	1. Plug is not inserted well. 2.Micro-switch contacts not well	1. Remove the plug. 2.Adjust the limit distance of micro-switch
2. Heating indicator is not on, temperature is not raised.	1. Connection of electric heating tube is loosened.	1.Firm two sides of electric heating tube and screw 2.Change electric heating tube
3. Power indictor is on but the setting temperature is not raised	1. Temperature controller is burned	1.Change temperature controller
4.Temperature control is normal but indicator is not on	1. Indicator is burned.	1.Change indicator
5. After circuit heating electric heating tube is not heated.	1. Temperature limiter works.	1. Reset “over heating protecting button” by hand.
6. Temperature control can not be controlled.	1. Temperature limiter is out of order .	1. Change temperature limiter

Aforementioned trouble are just for reference .If any fault occurs, please cease using, return it to professional technicians for check and repair.

H. Transportation and Storage

During transportation, the machine should be carefully handled and prevent from shaking .the packaged machine should not be stored in the open air .It should be put in a ventilated warehouse without corrosive gas. It should not be put upside down .If it needs to be stored in open air temporary, measure against raining in needed.

I. Cleaning and maintenance

1. Cut off the power supply before cleaning in case of accident.
2. Do not use wet towel with non-corrosive cleanser to clean the module plate, the surface of the equipment and power cord .Direct wash by water is not permitted in case of any damage of the functions.
3. If do not use it at any time, please turn off temperature controller and main switch.
4. Please store the equipment in a ventilated storehouse without corrosive gas after cleaning when ceasing its work for a long time.

J. Daily check

Everyday notice the situation of the machine before or after using.

Before using	Whether the machine is tilted?
	Whether the power cord is old, broken or damaged
	Whether the control panel is damaged
After using	Whether there is strange smell?
	Whether the upper and lower module plate cannot be heated at the same time?
	Is there any strange voice or is the machine out of control while the machine is lifting?

WARNING!

·Must check the machine everyday.

Usually check the product that can avoid serious accident happens.

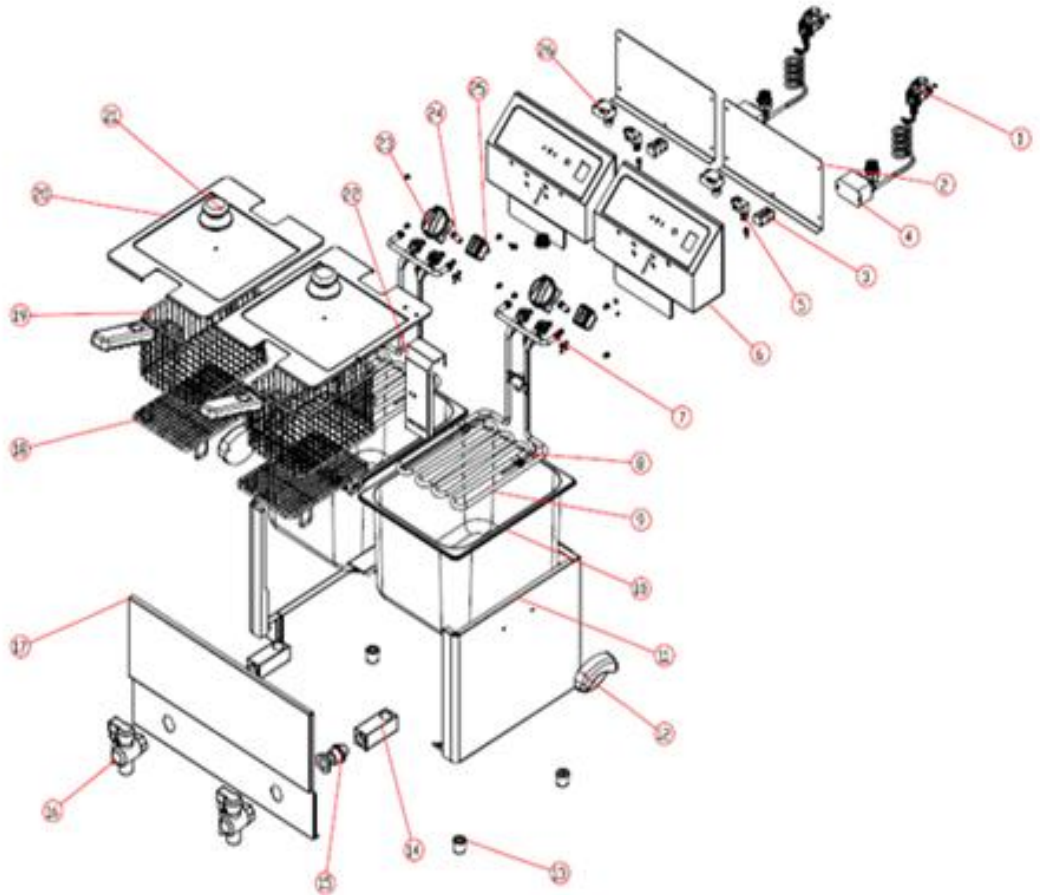
The temperature around the machine should not over 300°

·Stop using if user feels that there are some problems in the circuit or machine.

Ask the special technicians to check and maintain the machine as soon as possible

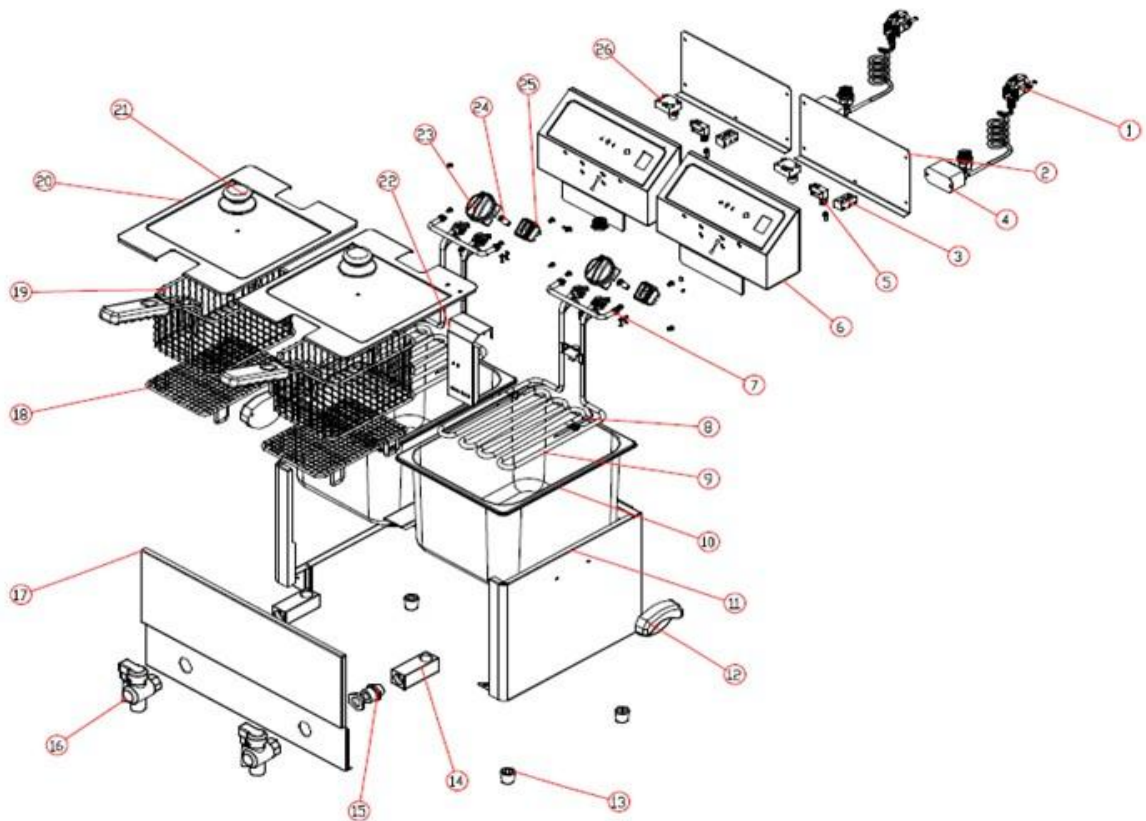
K. Solid diagram

HDF Series 1-tank electric fryer



I

HDF Series 2-tank electric fryer



1.Power line

4.relay

7.hanging

10.oil pot

13.feet

16.oil tap

19. frying basket

22.protect board

25.mains switch

2.cover of electric box

5.Contact switch

8.temperature probe

11.frame

14.square tube

17.face plate

20.cover of oil pot

23.thermosistor

26. temperature limiter

3.connector

6.electric box

9.heating tube

12.handle of frame

15.connector lug

18. layer of frying basket

21.handle of cover

24.indicator light

