



CB 1265

LIST OF THE EXPLODED VIEWS



SHELL ASSY

COOLING SYSTEM

HYDRAULIC CIRCUIT

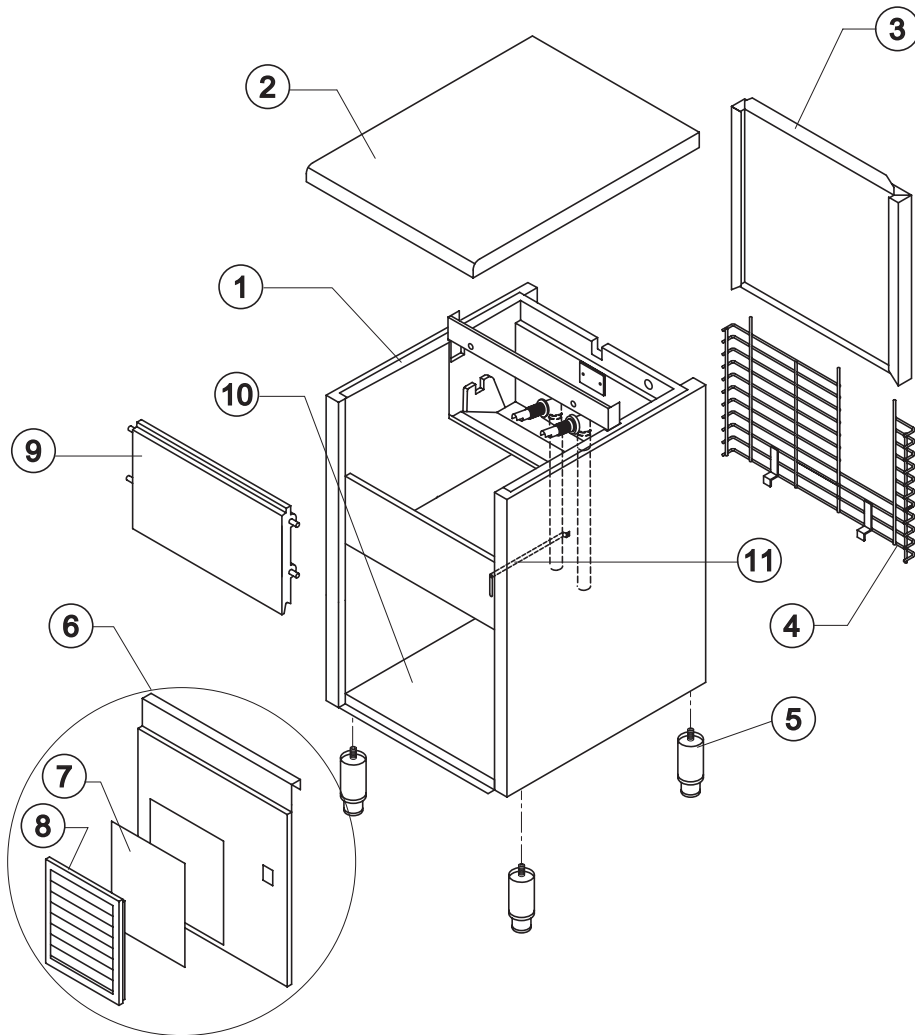
ELECTRIC PARTS

Rev. 8 - 26/08/2013



CB 1265

SHELL ASSY

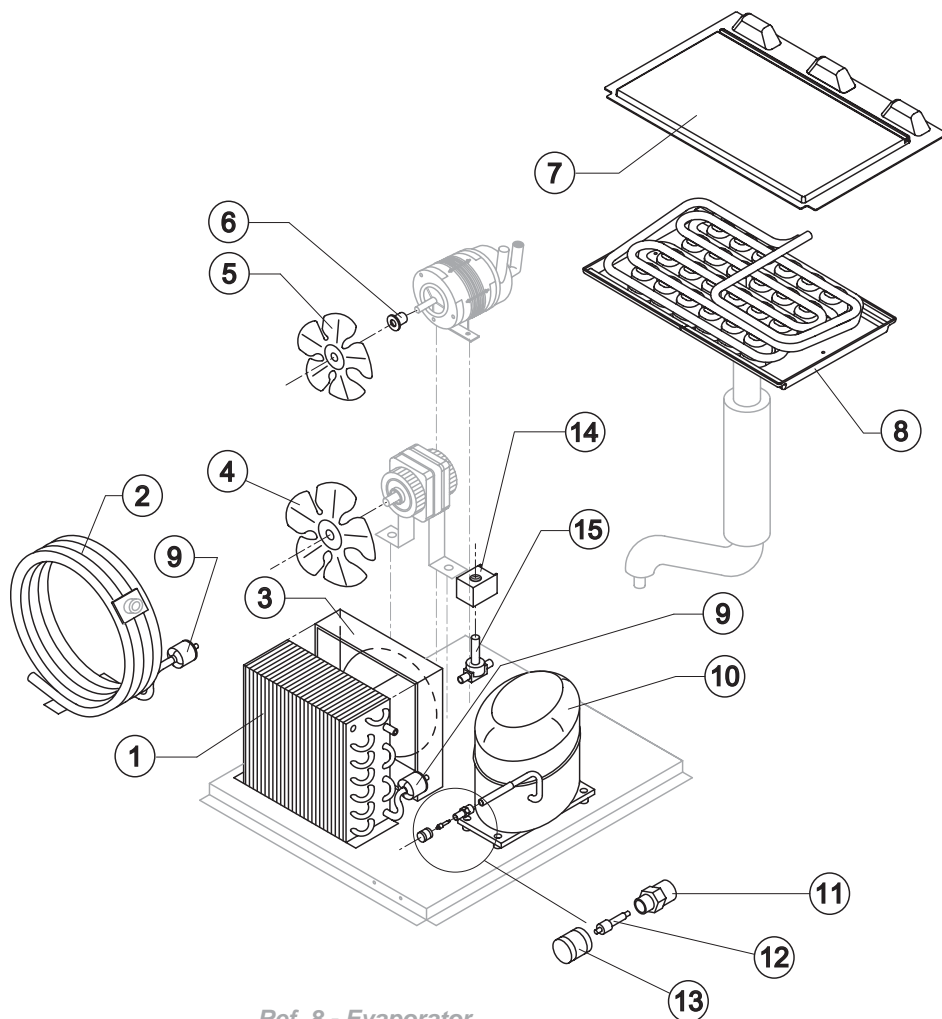


Ref.	Spare Description	Code
1	Foamed Cabinet Assy	See Table
2	Top Assembly	C22688
3	Rear Panel Assembly	C21209
4	Rear Grid	D12021
5	Adjustable Stainless Steel Foot	20613
6	Front Grid Panel	C22564
7*	Filtering Panel	18106
8	Frame with Grid & Filter	C10205
9	Door Assy	C10275
10	Base Plate	21281
11	Bulbe-holder Pipe	20521

Ref. 1 - Foamed Cabinet Assy

Condensation	Code
Air	C11086A
Water	C11086W

Rev. 8 - 26/08/2013



Ref. 8 - Evaporator

Kind of Cube	Code
18 g. (Standard)	D10214
33 g.	D10092
13 g.	D10126
42 g.	D10477
60 g.	D10555

Common Parts

Ref.	Spare Description	Code
5	Sucking Fan	10213
6	Fan Fixing Hub	10014
7	Evaporator Cover Panel	Current Version 10450
7	Evaporator Cover Panel	Till s/n. 224687 10058
8	Evaporator	See Table -
9*	Solid Core Drier	14089
10	Compressor	See Table -
11	Vacuum-Charge Valve Body	14007
12*	Vacuum-Charge Valve Device	14005
13*	Vacuum-Charge Valve Plug	14006
14*	Hot Gas Valve Coil	See Table -
15*	Hot Gas Valve Body	20409

Parts for Air-Cooled Version Only

Ref.	Spare Description	Code
1	Air Condenser	20264
3	Air Condenser Conveyor	10163
4	Sucking Fan	20031

Parts for Water-Cooled Version Only

Ref.	Spare Description	Code
2	Water Condenser	14034
4	Sucking Fan	Till s/n. 219960 10213

Ref. 10 - Compressor

Voltage	Code
T11	23440
T12	23465
T13	23554
T19	23849

Ref. 14* - Hot Gas Valve Coil

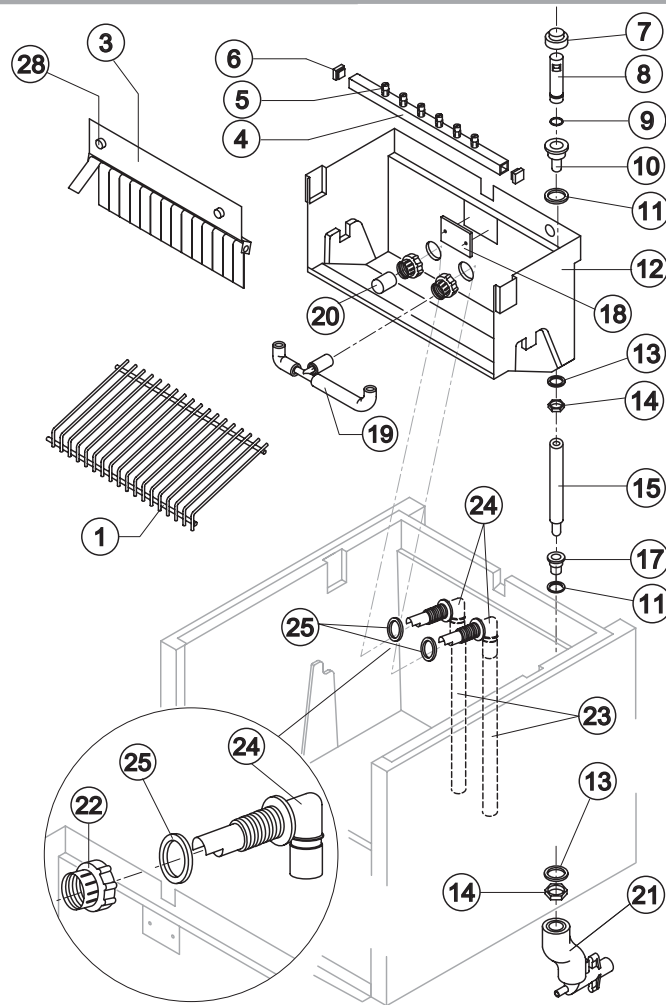
Voltage	Code
T11	23091
T12	23091
T13	23256
T19	23256

Rev. 8 - 26/08/2013



CB 1265

HYDRAULIC CIRCUIT



Ref. 1 - Ice Cube Slide

Kind of Cube	Code
18 g. (Standard)	D12022
33 g.	D12033
13 g.	D12040
42 g.	D12033
60 g.	D12084

Ref. 4* - Sprayers Bar Ass.

Kind of Cube	Code
18 g. (Standard)	C20144
33 g.	C20157
13 g.	C20200
42 g.	C20157
60 g.	C20941

Common Parts

Ref.	Spare Description	Code
1	Ice Cubes Slide	See Table
3	Flags Support Assy	C22134
4*	Sprayers Bar Assembly	See Table
5	Sprayer	D20002
6	Sprayers Bar Plug	10012
7*	Overflow Cap	10305
8*	Overflow Pipe	10133
9*	OR Gasket for Overflow Pipe	20233
10	Overflow Pipe Nipple	10471
11	Silicone Gasket	13006
12	Inner Basin	10055
13	Semirigid Polyethylene Gasket	13007
14	Bin Discharge Nut	10096
15*	Overflow Pipe Assembly	13155
17	Water Outlet Nipple	10472
18	Slide Keep Plate	Till s/n. 233769 10009
19	Sprayers Bar Pipe Connection Assy	C13036
20*	Pump Suction Filter	20005
22	Fitting Locking Ring	10405
23	Pump Suction/Delivery Pipe	13142
24	Fitting of the Pump Suction/Delivery Pipes	10404
25	Gasket for Pump Suction/Delivery Pipes	13143
28	Fixing Screw	20009

Parts for Air-Cooled Version Only

Ref.	Spare Description	Code
21	Discharges Manifold	C10006

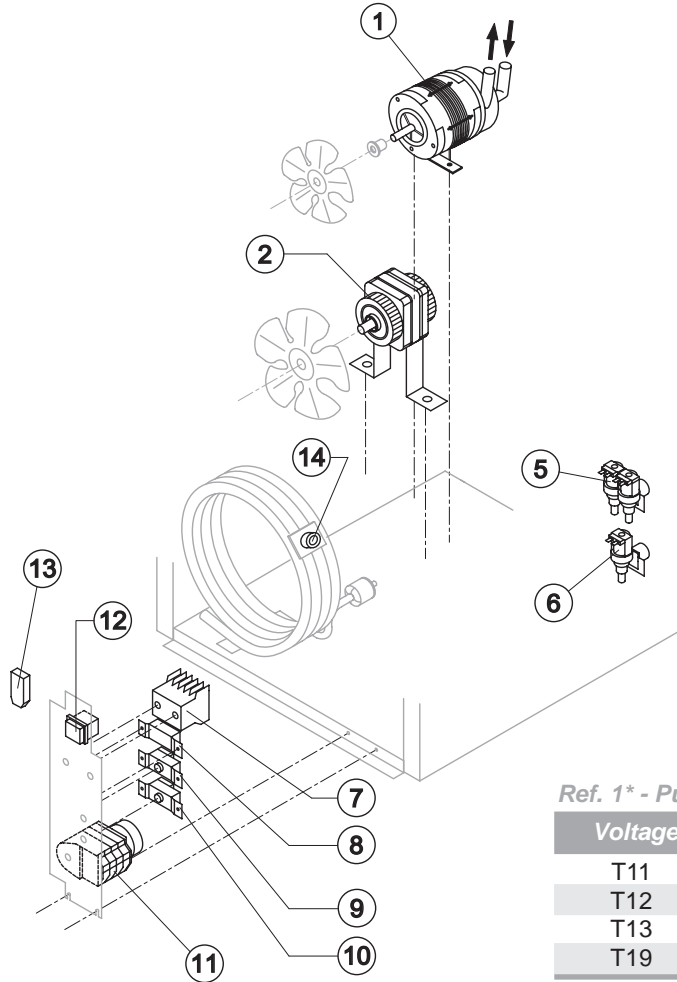
Parts for Water-Cooled Version Only

Ref.	Spare Description	Code
21	Discharges Manifold	C26452



CB 1265

ELECTRIC PARTS



Common Parts

Ref.	Spare Description	Code
1*	Pump Assy	See Table -
2*	Fan Motor	See Table -
7	Contactor	Only T13 and T19 See Table
8*	Condenser Pressure Switch	See Table -
9*	Bin Thermostat	R23005
10*	Evaporator Thermostat	R23591
11*	Timer	See Table -
12*	Green Light Switch (On-Off)	23327

Parts for Air-Cooled Version Only

Ref.	Spare Description	Code
6*	1 Way- Water Inlet Valve	See Table -
13	Anti Radio Interference Filter	Only T11 C23459

Parts for Water-Cooled Version Only

Ref.	Spare Description	Code
5*	2 Ways- Water Inlet Valve	See Table -
13	Anti Radio Interference Filter	Only T11 C23457
14*	Safety Thermostat	C23114

Rev. 8 - 26/08/2013

Ref. 1* - Pump Assy

Voltage	Code
T11	C23462
T12	C23462
T13	C23663
T19	C23663

Ref. 2* - Fan motor

Voltage	Water	
	Air	Till s/n. 219960
T11	23067	23029
T12	23681	23029
T13	23621	23683
T19	23621	-

Ref. 7* - Contactor

Voltage	Code
T13	23595
T19	23932

Ref. 8* - Cond. Pressure Switch

Voltage	Code
T11	23175
T12	23175
T13	23175
T19	23680

Ref. 5* - 2 Ways- Water inlet

Voltage	18g/13g Cube	33g/42g/60g Cube
T11	23157	23157
T12	23157	23157
T13	23788	23788
T19	23788	23788
	Till s/n. 605530	

Ref. 6* - 1 Way - Water Inlet valve

Voltage	18g/13g Cube	33g Cube	42g/60g Cube
T11	23220	23220	23787
T12	23220	23787	23787
T13	23281	23789	23789
T19	231037	TBD	TBD actual version
T19	23281	23789	23789 Till s/n. 605530

Ref. 11* - Timer

Voltage	18g Cube	33g Cube	13g Cube	42g Cube	60g Cube
T11	23222	23248	23247	23780	23922
T12	231078	231080	231077	231080	TBD
T13	23259	23786	23258	23786	TBD
T19	23833	TBD	TBD	TBD	TBD actual version
T19	23259	23786	23258	23786	TBD Till s/n. 605530